

Tippette

Full Sized Rocker Switches

The Tippette Series is a traditionally styled rocker switch, available in sealed or unsealed versions. These switches are appropriate for use in general purpose applications which may or may not require a modicum of environmental protection. The Tippette Series is available in both illuminated and non-illuminated versions and features a wide variety of circuits, actuator styles and bracket options. This versatile offering includes international agency certifications and ratings to 26 amps for select circuits.



Carling Technologies®

Innovative Designs. Powerful Solutions.

Innovative Designs. Powerful Solutions.

Carling Technologies, Inc.
60 Johnson Avenue • Plainville, CT 06062-1177
Phone: (860) 793-9281 • Fax: (860) 793-9231
Email: sales@carlingtech.com • www.carlingtech.com

Electrical

Contact Rating	15 amps, 125 VAC 10 amps, 250 VAC 3/4 HP 125-250 VAC 15 amps, 12-30 VDC
Life	25,000 cycles circuit dependent 50,000 cycles circuit dependent consult factory for applicable circuits.
Contacts Terminals	Fine silver, silver cad-oxide Brass or copper/silver plate 1/4" (6.3mm) Quick Connect terminations standard. Solder lug - Brass Tin Plated Wire Lead 16 gauge standard 105°C 600VAC Screw Terminals - Brass

Mechanical

Endurance	100,000 cycles minimum
-----------	------------------------

Physical

Lighted	Incandescent - rated 10,000 hours Neon - rated 25,000 hours
Seals	Bracket - Actuator WBL/MBL optional external gasket panel seal
Base	Phenolic (150°C)
Rocker/Bracket	Nylon 66 (105°C)

Agency Certifications



Select circuits and constructions with IEC approvals are available. Consult factory

Mounting

MOUNTING HOLE
(Nylon Snap-in Brackets)
Panel Thickness:
.040 min. - .250 max.



*Angled corners are suggested for optimum fit.
Standard rectangular cutout is acceptable.

*Manufacturer reserves the right to change product specification without prior notice.

TIGA51 - 6M - BL - MBL

¹ Base Part Number ² Actuator Style ³ Actuator Color ⁴ Bracket

1 BASE PART NUMBER: SERIES/POLES/CIRCUITRY^{8,11,13}/RATING⁷/TERMINATION¹⁰

10A 250VAC, 15A 125VAC, 3/4 HP 125-250VAC, 15A 6-28VDC⁷
Single Pole in Double Pole base²
 solder .250 screw wire
 lug tab term. leads
TIGA50 TIGA51 TIGA54 TIGA55 On-None-Off
TIGA5A TIGA5B TIGA5E TIGA5F (On)-None-Off
TIGA5L TIGA5M TIGA5S TIGA5T On-None-(Off)
TIGB50 TIGB51 TIGB54 TIGB55 On-None-On
TIGB5A TIGB5B TIGB5E TIGB5F On-None-(On)
TIGC50 TIGC51 TIGC54 TIGC55 On-Off-On
TIGC5A TIGC5B TIGC5E TIGC5F On-Off-(On)
TIGC5L TIGC5M TIGC5S TIGC5T (On)-Off-(On)

Double Pole
 solder .250 screw wire
 lug tab term. leads
TIGK50 TIGK51 TIGK54 TIGK55
TIGK5A TIGK5B TIGK5E TIGK5F
TIGK5L TIGK5M TIGK5S TIGK5T
TIGL50 TIGL51 TIGL54 TIGL55
TIGL5A TIGL5B TIGL5E TIGL5F
TIGM50 TIGM51 TIGM54 TIGM55
TIGM5A TIGM5B TIGM5E TIGM5F
TIGM5L TIGM5M TIGM5S TIGM5T

Three Pole
 solder .250 screw wire
 lug tab term. leads
TIHK50 TIHK51 TIHK54 TIHK55 On-None-Off
TIHK5A TIHK5B TIHK5E TIHK5F (On)-None-Off
TIHK5L TIHK5M TIHK5S TIHK5T On-None-(Off)
TIHL50 TIHL51 TIHL54 TIHL55 On-None-On
TIHL5A TIHL5B TIHL5E TIHL5F On-None-(On)
TIHM50 TIHM51 TIHM54 TIHM55 On-Off-On
TIHM5A TIHM5B TIHM5E TIHM5F On-Off-(On)
TIHM5L TIHM5M TIHM5S TIHM5T (On)-Off-(On)

Four Pole
 solder .250 screw wire
 lug tab term. leads
TIJK50 TIJK51 TIJK54 TIJK55
TIJK5A TIJK5B TIJK5E TIJK5F
TIJK5L TIJK5M TIJK5S TIJK5T
TIIL50 TIIL51 TIIL54 TIIL55
TIIL5A TIIL5B TIIL5E TIIL5F
TIIM50 TIIM51 TIIM54 TIIM55
TIIM5A TIIM5B TIIM5E TIIM5F
TIIM5L TIIM5M TIIM5S TIIM5T

VDE APPROVED

10A 250VAC, 15A 125VAC, 12(6)A 250VAC T85
Single Pole in Double Pole base²
 solder .250 wire
 lug tab lead
TIGA90 TIGA91 TIGA95 On-None-Off
TIGB90 TIGB91 TIGB95 On-None-On
TIGC90 TIGC91 TIGC95 On-Off-On

Double Pole
 solder .250 wire
 lug tab lead
TIGK90 TIGK91 TIGK95
TIGL90 TIGL91 TIGL95
TIGM90 TIGM91 TIGM95

Additional ratings up to 20A 125-277VAC, 1 1/2HP 125 VAC, 2HP 250VAC are available. Consult factory for specifics.

2 ACTUATOR STYLE

1S Angular/Smooth Face Gloss¹² **6M** Curved/Smooth Face Matte³
1C Angular/Cross Serrations Gloss¹² **6S** Curved/Smooth Face Gloss³
1F Flatted/Smooth Face Gloss¹² **7S** Rounded Paddle/Smooth Face Gloss¹
1L Angular/Longline Serrations Gloss^{1,12} **7N** Witch's Hat/Narrow¹⁵
2L Long Smooth/Narrow¹⁵ **7P** Witch's Hat/Wide¹⁵

3 ACTUATOR COLOR⁹

BL black **WH** white **RD** red

4 BRACKET STYLE⁹

A Screw Mount⁵
B Screw Mount^{5,12}
C Screw Mount⁵
H Screw Mount⁵
NBL Nylon Black
WBL Watershedding Black⁴
MBL Marine Style Black^{4,6}
FN Metal Snap-In⁵
FN BLK Black Metal Snap-In⁵
FN SS Stainless Steel Snap-In⁵
FW Wide Stainless Steel Snap-In⁵

Notes:

- 1 NBL, FN, & FW brackets only.
- 2 For single pole switch in a single pole base, specify TIL with single pole circuitry/rating/termination.
- 3 NBL, WBL, & MBL brackets only. With 6M actuator, brackets also will be matte finish.
- 4 6M & 6S actuators only.
- 5 Not available with 6M & 6S actuators.
- 6 Consists of WBL bracket, neoprene seal, and dummy rivets at open holes. Consult factory for agency approval status.
- 7 All ratings are appropriate for usage in low voltage applications.
- 8 For additional special circuits, see page 21.....?!?!?
- 9 Custom colors are available, consult factory.
- 10 .187 tab and PC terminations are also available. Consult factory for catalog number callout.
- 11 () momentary
- 12 Not available with WBL or MBL style brackets.
- 13 Additional circuits available. See page 21.
- 14 Available with bracket A, C or H only.
- 15 Not available with MBL, WBL or H brackets. Can be supplied as a double rocker to control separate poles of a TIG, TIH or TII switch. Consult factory for details.

LTILA51 - 6M - BL - RC - MBL - 12V

¹ Base Part Number ² Actuator Style ³ Actuator Color ⁴ Lens Color ⁵ Bracket ⁶ Lamp Voltage

1 BASE PART NUMBER: SERIES/POLES/ILLUMINATION/CIRCUITRY¹²/RATING¹⁰/TERMINATION¹⁴

10A 250VAC, 15A 125VAC, 3/4 HP 125-250VAC, 15A 15-28VDC
illuminated Single Pole in Double Pole base
 solder .250 screw wire
 lug tab term. leads
LTILA50 LTILA51 LTILA54 LTILA55 On-None-Off
LTILA5A LTILA5B LTILA5E LTILA5F (On)-None-Off
LTILA5L LTILA5M LTILA5S LTILA5T On-None-(Off)
LTILB50 LTILB51 LTILB54 LTILB55 On-None-On
LTILB5A LTILB5B LTILB5E LTILB5F On-None-(On)
LTILC50 LTILC51 LTILC54 LTILC55 On-Off-On
LTILC5A LTILC5B LTILC5E LTILC5F On-Off-(On)
LTILC5L LTILC5M LTILC5S LTILC5T (On)-Off-(On)

illuminated Double Pole
 solder .250 screw wire
 lug tab term. leads
LTIGK50 LTIGK51 LTIGK54 LTIGK55
LTIGK5A LTIGK5B LTIGK5E LTIGK5F
LTIGK5L LTIGK5M LTIGK5S LTIGK5T
LTIGL50 LTIGL51 LTIGL54 LTIGL55
LTIGL5A LTIGL5B LTIGL5E LTIGL5F
LTIGM50 LTIGM51 LTIGM54 LTIGM55
LTIGM5A LTIGM5B LTIGM5E LTIGM5F
LTIGM5L LTIGM5M LTIGM5S LTIGM5T

Additional ratings up to 12A 250VAC, 17A 125 VAC, 3/4 HP 125 VAC, 1HP 250VAC are available. Consult factory for specifics.
 Three pole switch is also available: Substitute H for fourth digit of part number. ex. LTIIHK51

2 ACTUATOR STYLE⁴

1S Angular/Smooth Face Gloss¹
1C Angular/Cross Serrations Gloss¹
1L Angular/Longline Serrations Gloss¹
6M Curved/Smooth Face Matte³
6S Curved/Smooth Face Gloss³
7S Rounded Paddle/Smooth Face Gloss²

3 ACTUATOR COLOR¹¹

BL black **WH** white **RD** red

4 LENS COLOR¹³

AM amber **RC** red **GN** green⁷
LU blue⁷ **CL** clear **WH** white

5 BRACKET STYLE¹¹

NBL Nylon Black
WBL Watershedding Black⁵
MBL Marine Style Black^{3,8}
FN Metal Snap-In^{4,6}
FN BLK Black Metal Snap-In^{4,6}
FN SS Stainless Steel Snap-In^{4,6}

6 LAMP VOLTAGE

neon⁹
125N 125 volt **250N** 250 volt
incandescent
6V 6 volt **12V** 12 volt **18V** 18 volt
24V 24 volt **28V** 28 volt

Notes:

- 1 NBL, FN, & FW brackets only. Double pole circuits provided with 3 pole base.
- 2 LTIL-Series with NBL, FN, & FW brackets only.
- 3 NBL, WBL, & MBL brackets only. With 6M actuator, bracket will also be matte finish.
- 4 1S, 1C, 1L & 7S with NBL bracket only available with LTIL-Series.
- 5 6M, 6S actuators only.
- 6 Not available with 6M & 6S actuators.
- 7 Not recommended with neon lamps.
- 8 Consists of WBL bracket, neoprene seal, dummy rivets at open holes. Consult factory for agency approval status.
- 9 Not recommended with blue or green lenses.
- 10 All ratings are appropriate for usage in low voltage applications.
- 11 Custom colors and additional bracket styles are available, consult factory.
- 12 () - momentary
- 13 All double throw circuits supplied with two lenses. To specify two different lens colors, specify second color, after first color. (ex. LTIGM51-6S-BL-RC/GN-WBL-12V)
- 14 .187 tab and PC terminations are also available. Consult factory for catalog number callout.

1C
CROSS-LINE W/ONE LENS



WITH .250 TAB
TERMINALS
AND NBL BRACKET

1L
LONG-LINE W/ONE LENS



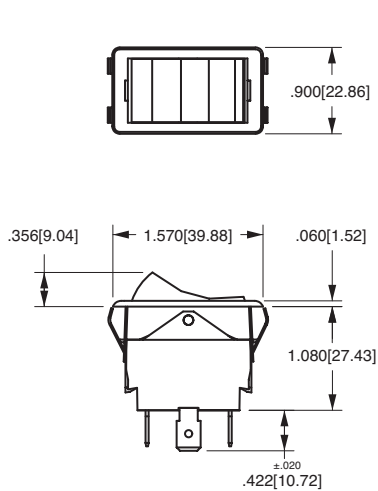
WITH SOLDER LUG
TERMINAL
AND NBL BRACKET

1S
SMOOTH W/ONE LENS



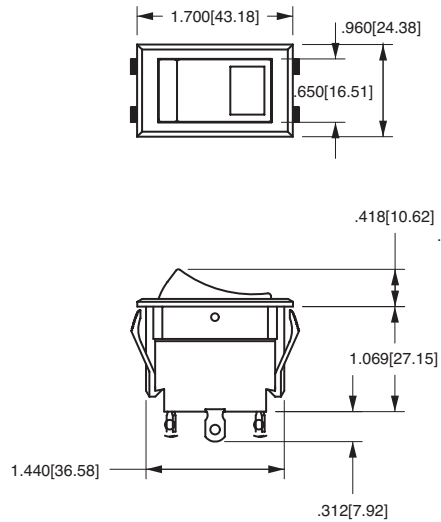
WITH .250 TAB
TERMINALS
AND NBL BRACKET

1F
FLATTED STYLE NO LENS



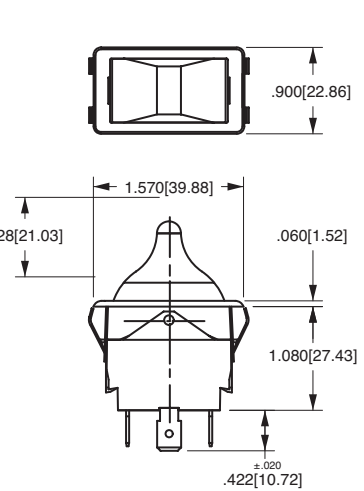
WITH .250 TAB
TERMINALS
AND FN BRACKET

6M, 6S
CURVED W/ONE LENS

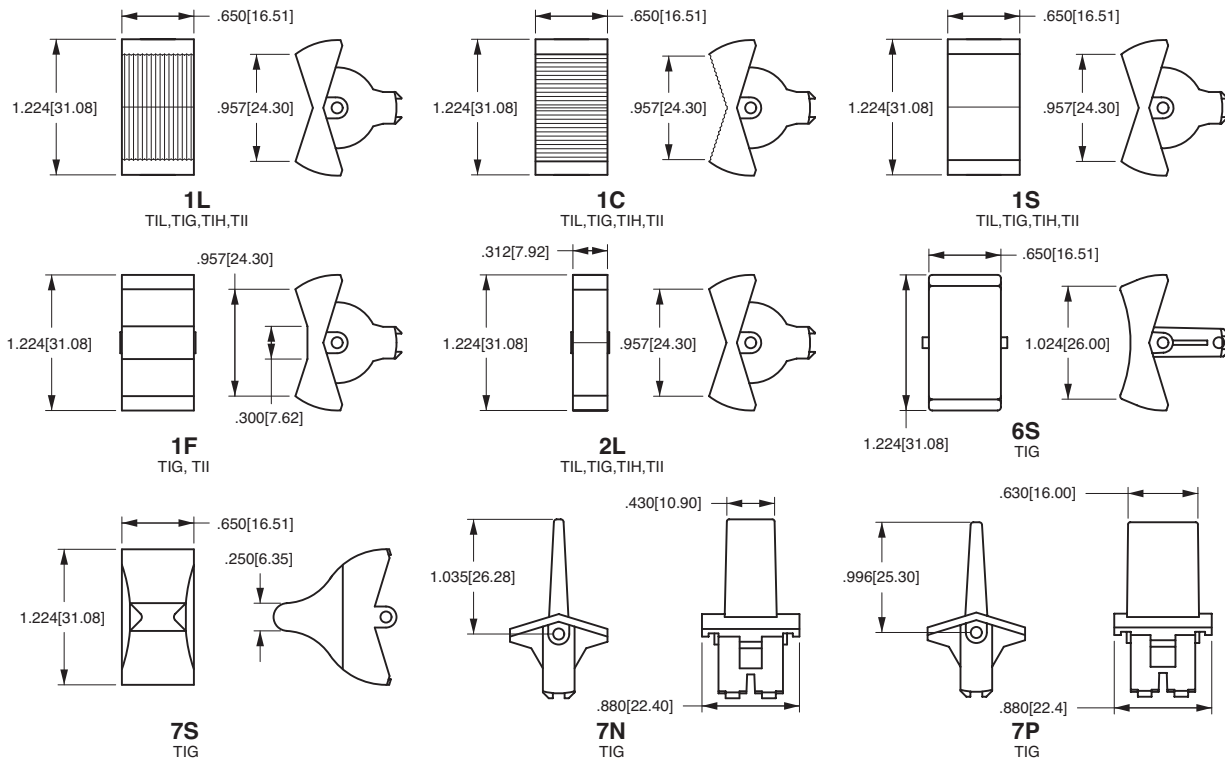


WITH SOLDER LUG
TERMINALS
AND NBL BRACKET

7S
TOGGLE-STYLE W/ONE LENS



WITH .250 TAB
TERMINALS
AND FN BRACKET

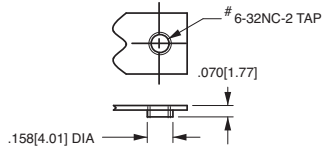


SPECIAL CIRCUITS FOR TIPPETTE ROCKER SWITCHES

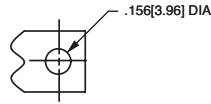
Circuit	Position 1	Position 2	Position 3
Progressive Two Circuit			
GG	BOTH CIRCUITS ON	ONE CIRCUIT ON	OFF
GG	BOTH CIRCUITS (ON)	ONE CIRCUIT ON	OFF
Single Pole Triple Throw			
GE	ON	ON	ON
Two Circuit			
GH	CIRCUIT 1 ON	BOTH CIRCUITS ON	CIRCUIT 2 ON
GP	CIRCUIT 2 ON	CIRCUIT 1 ON	OFF
Reversing Double Pole			
GO	ON	OFF	ON
GX	ON	NONE	ON

() Indicates momentary function.

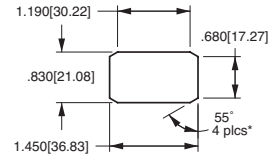
Dimensional Specifications: in. [mm]



TAPPED HOLE
Standard with
A & B Brackets



CLEARANCE HOLE
Standard with
C Bracket



MOUNTING HOLE
(Nylon Snap-in Brackets)
Panel Thickness:
.030 min. - .250 max.

* Angled corners are suggested for optimum fit. Standard rectangular cutout is acceptable.

TIL	TIG	TII	TIH
<p>A TIL</p>	<p>A TIG</p>	<p>A TII</p>	<p>A TIH</p>
<p>B TIL</p>	<p>B TII, TIG</p>		
<p>CX TIL</p>	<p>C TIG</p>	<p>C TIH, TII</p>	

